

Product data sheet

Characteristics

2510FG6

Manual Starter, fractional horsepower, 16A, 2 poles, 1 HP at 277 VAC, toggle w/guard, no indicator, NEMA 1 enclosure



Product availability: Stock - Normally stocked in distribution facility

Price*: 121.89 USD



Main

Product or component type	Single Unit Manual Starter
Range of product	F
Thermal overload type	Melting alloy

Complementary

Line Rated Current	16 A
Cable entry	0.5" and 0.75" knock-outs (top and bottom)
Maximum Horse Power Rating	1 Hp 115 V AC 1 Hp 277 V AC 0.75 Hp 115 V DC 0.75 Hp 230 V DC 2 Hp 230 V AC
[Ue] rated operational voltage	277 V AC 230 V DC
Poles description	2P
Control type	Toggle switch (with lock-off)
Phase	1 phase
Local signalling	No indicator
Reset	Manual
Motor starter type	Non reversing
Electrical connection	Screw clamp terminals
AWG gauge	AWG 14...AWG 12 copper
Height	4.25 In (107.95 mm)
Width	2.44 In (61.98 mm)
Depth	2.88 In (73.15 mm)

Environment

Product certifications	UL listed file E42243 CCN NLRV CSA LR25490 class 3211 05
NEMA degree of protection	NEMA 1 Plastic standard size

Ordering and shipping details

Category	21101 - 2510,2511,2512 F
Discount Schedule	CP1
GTIN	00785901554035
Nbr. of units in pkg.	1
Package weight(Lbs)	13.12 Oz (371.946 g)
Returnability	No
Country of origin	MX

Packing Units

Unit Type of Package 1	PCE
Package 1 Height	2.60 In (6.604 cm)
Package 1 width	3.00 In (7.62 cm)
Package 1 Length	4.80 In (12.192 cm)

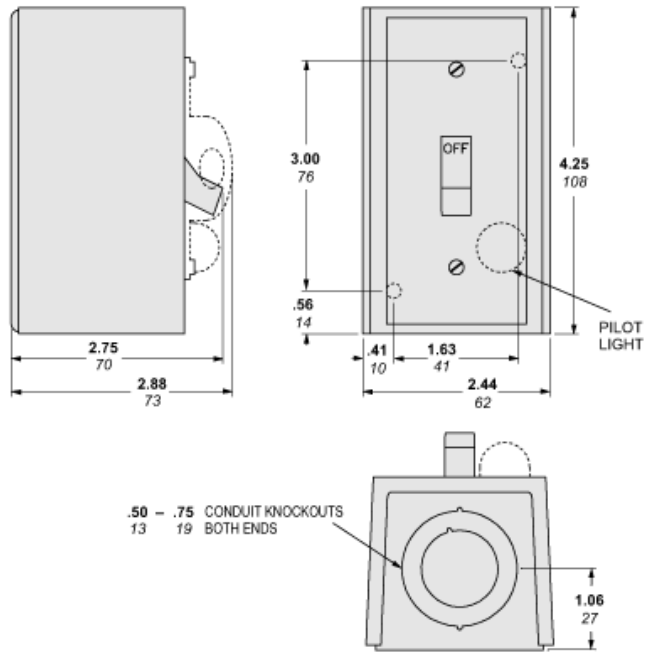
Offer Sustainability

California proposition 65	WARNING: This product can expose you to chemicals including: Lead and lead compounds, which is known to the State of California to cause cancer and birth defects or other reproductive harm. For more information go to www.P65Warnings.ca.gov
REACH Regulation	REACH Declaration
REACH free of SVHC	Yes
EU RoHS Directive	Not compliant
China RoHS Regulation	China RoHS Declaration
PVC free	Yes

Contractual warranty

Warranty	18 months
----------	-----------

Approximate Dimensions



Product Life Status : Commercialised